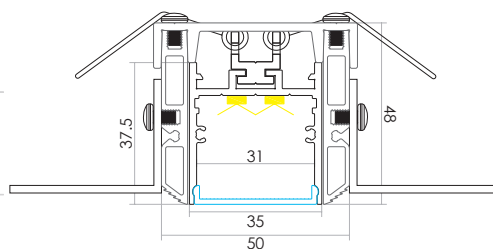


# LW-TR35 <sup>NEW</sup>

## ACCESSORIES :

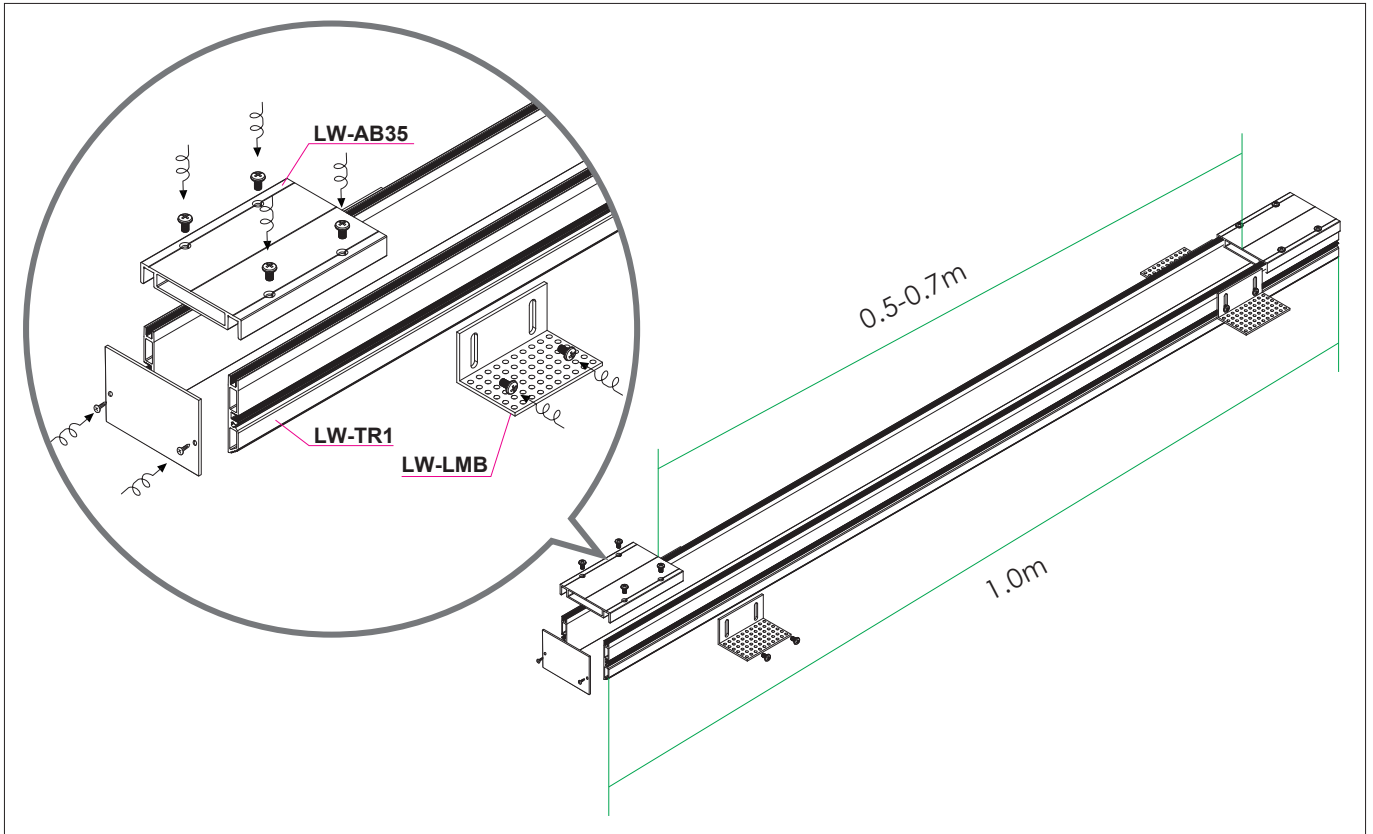
	<b>Aluminium Endcap</b> Code: TR35-Cap (without hole)		<b>Aluminum Endcap</b> Code: TR35-Cap (without hole)
	<b>Stainless Steel L bracket</b> Code: LW-LMB		<b>Alum. bridge base</b> Code: LW-TR35
	<b>Spring Clip</b> Code: SC-WN31		<b>Joiners 180°A</b> Code: J-180A
	<b>Joiners 90°A</b> Code: J-90A		<b>Joiners 120°A</b> Code: J-120A



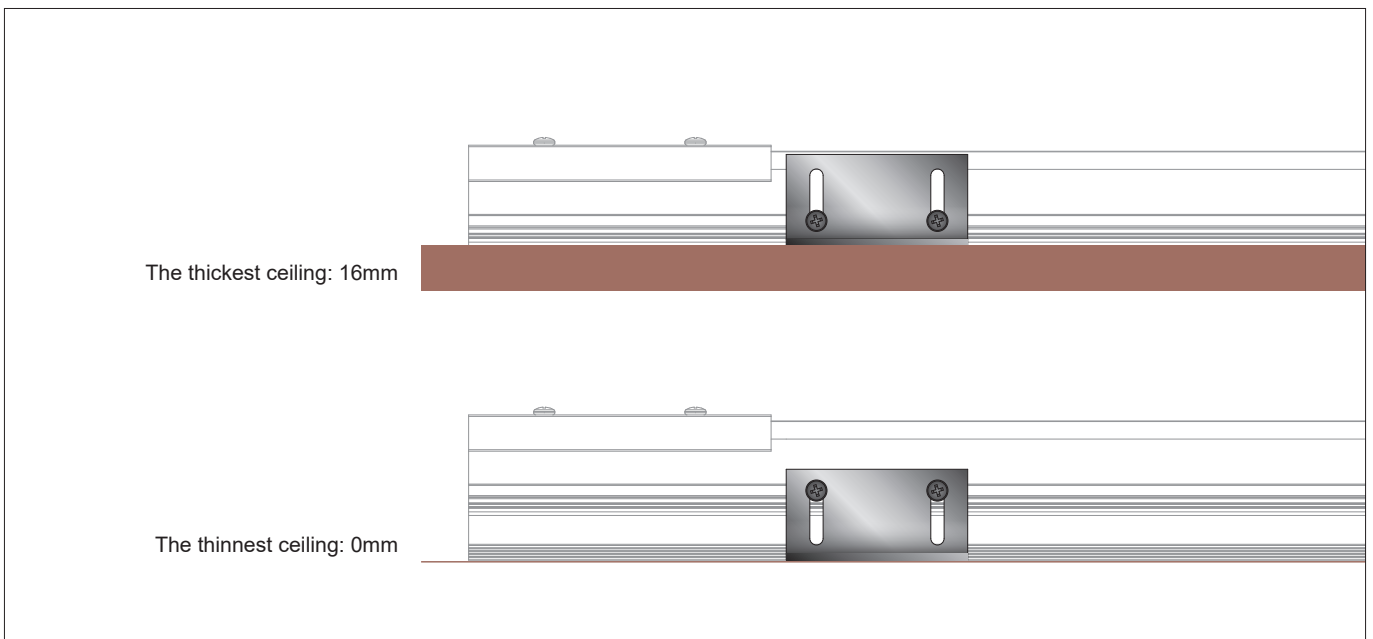
### Optional Diffuser(PMMA)

TR35					
Dimensions(mm)	Max strip width	Opal	New opal	Frosted	Clear
50*48	31mm	✓	✓	✓	✓
Code		TR35-O	TR35-N	TR35-F	TR35-C
Light Transmittance		63%	74%	89%	95%

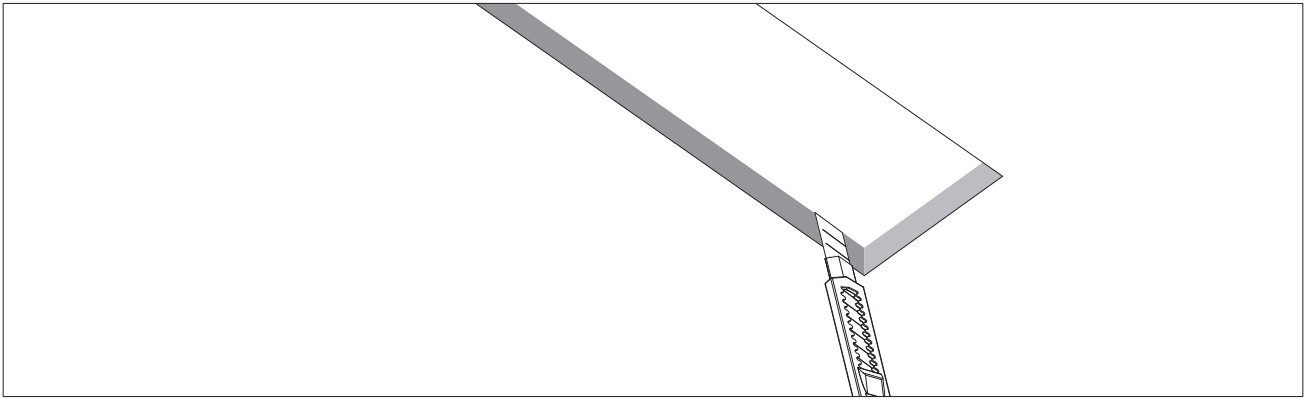
<28.4W/m  
 Aluminum Profile Weight:0.62kg/m  
 Stocked length availability:2m,2.5m.  
 Customized length below 6m upon your request.



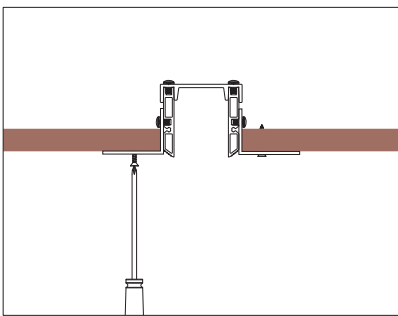
1. Assemble the AB and TR1 into each other as pictured above, followed by the end caps into place. Ensure the AB clamps are placed between 50-70cm apart.



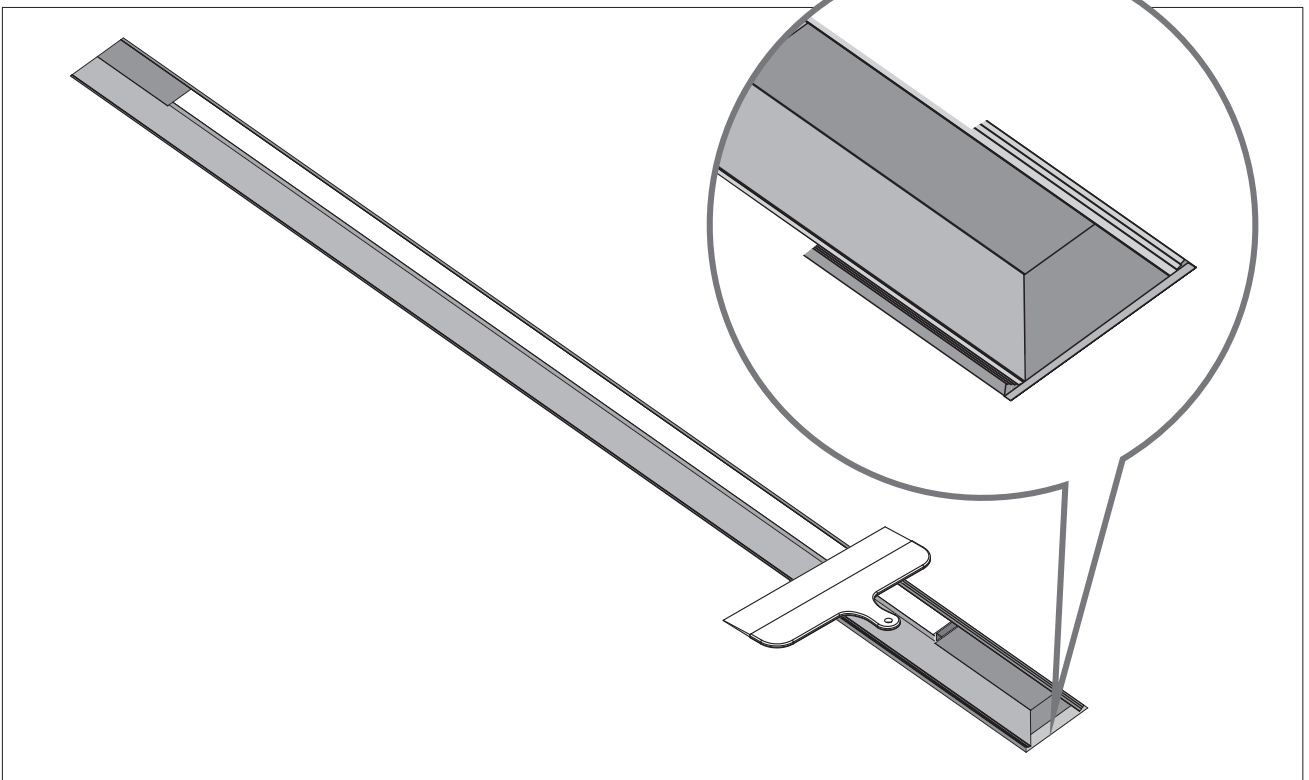
2. Adjust and install the L brackets according to ceiling board thickness.



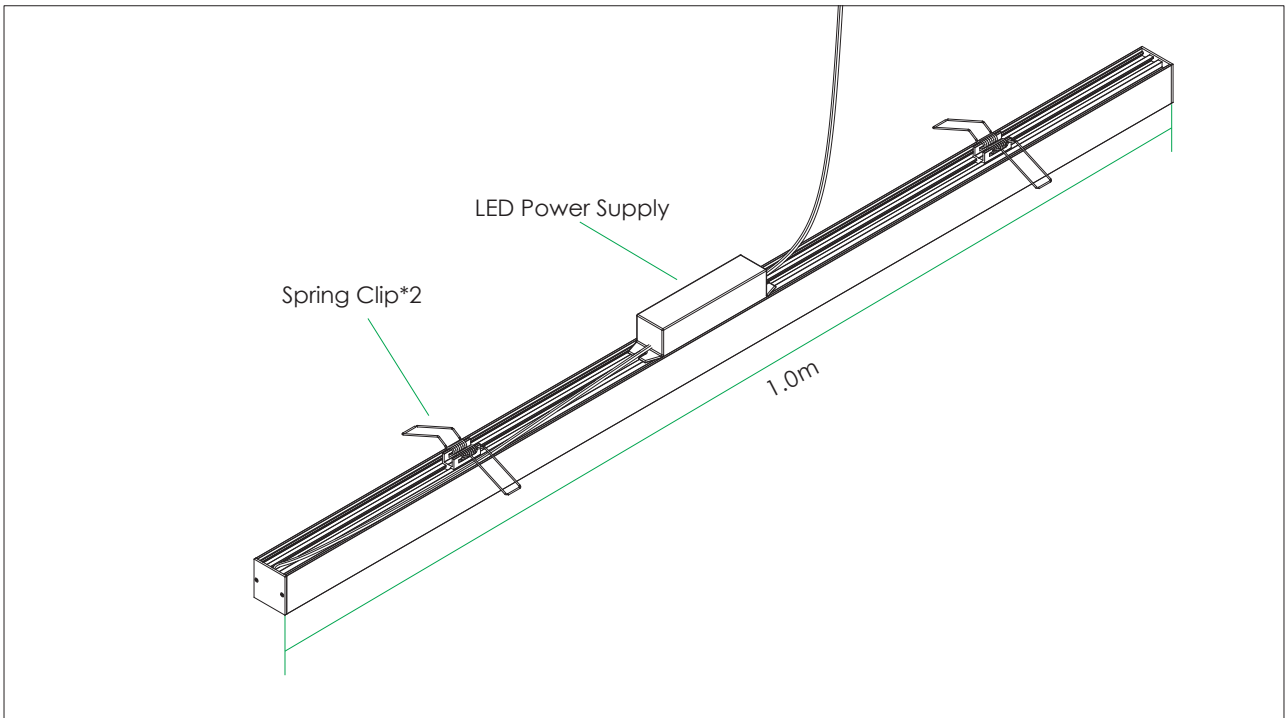
3. Cut out required hole



4. Lay it flat on the ceiling. Screw from the bottom of the ceiling (ceiling surface).

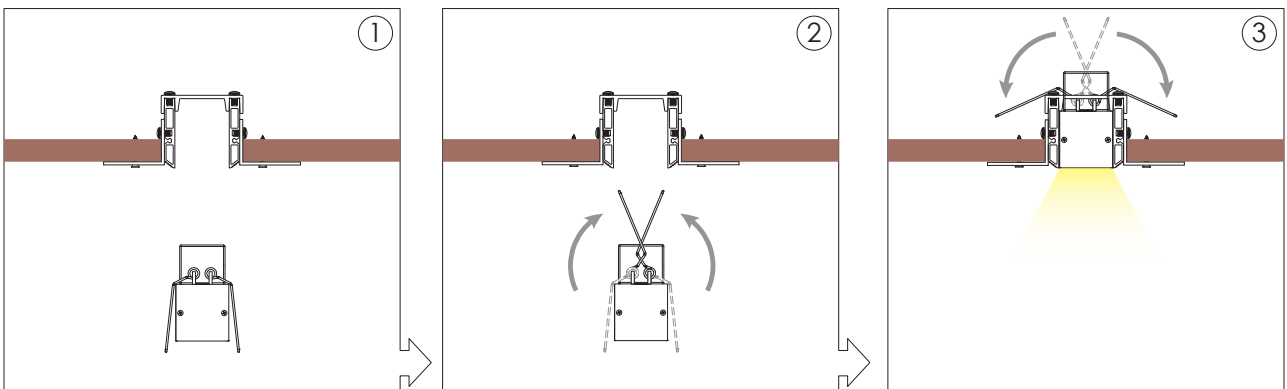


5. Patch up imperfections with ceiling plaster.

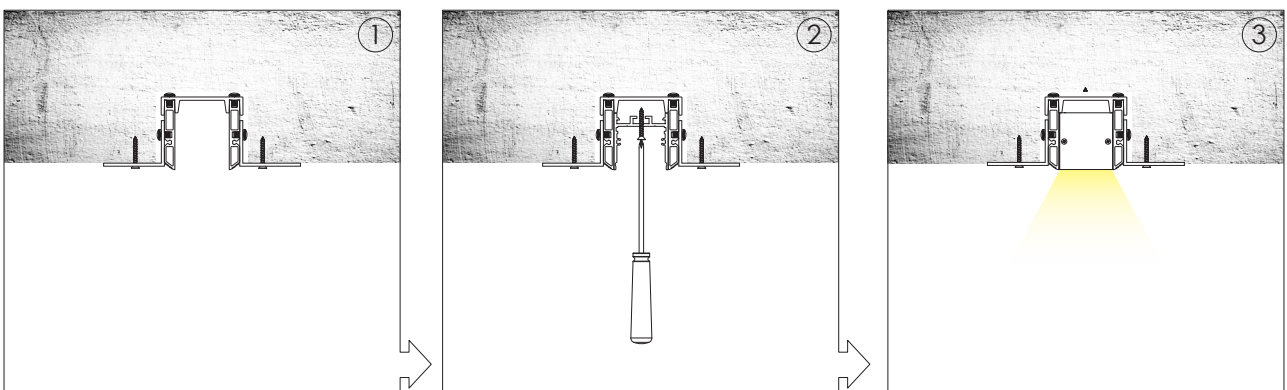


6. Using compatible linear profiles, prepare the light for install as below.

When ceiling is hollow, using spring clip to click

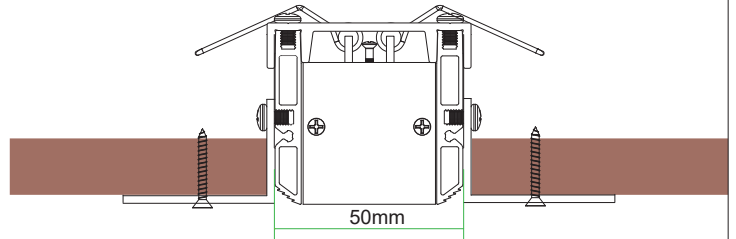
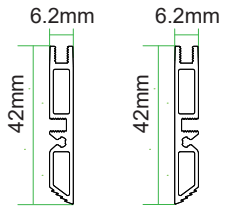


When ceiling is solid, using screw to fix to ceiling



Compatible Trimless bar - TR35,TR50,TR60,TR80

LW-TR1



7.Install finished.